

GH0DA10459

Blue Laser Diode

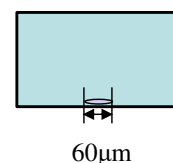
Blue Laser Diode

■ Features

- (1) Wavelength : 435 nm(Typ.)
- (2) Optical power output : CW 7W (Tc=25°C)
- (3) Aperture size : 60μm (※1)
- (4) Oscillation transverse mode : Multi mode
- (5) Φ9mm CAN package



※1 Aperture size



■ Applications

- (1) LDI
- (2) other application

■ Absolute Maximum Ratings(Tc=25°C(Note 1))

Parameter	Symbol	Value	Unit
Forward current (CW)	If	4.8	A
Optical power output	Po	7.1	W
Reverse voltage	Vrl	2	V
Operating temperature (Case temperature)	Top(c)	0 ~ +60	°C
Storage temperature	Tstg	-40 ~ +85	°C
Soldering temperature (Note 2)	Tsld	350	°C

(Note 1) Tc : Case temperature (Tc measurement point is refer to P3 drawing.)

(Note 2) Soldering temperature means soldering iron tip temperature while soldering.

Soldering position is 1.6mm apart from bottom edge of the case.(Immersion time: $\leq 3s$)

(Notice)

•In the absence of confirmation by device specification sheets, SHARP takes no responsibility for any defects that may occur in equipment using any SHARP devices shown in catalogs, data books, etc. Contact SHARP in order to obtain the latest device specification sheets before using any SHARP device.

•Specifications are subject to change without notice for improvement.

GH0DA10459

Blue Laser Diode

■ Specifications
CW, Tc=25°C

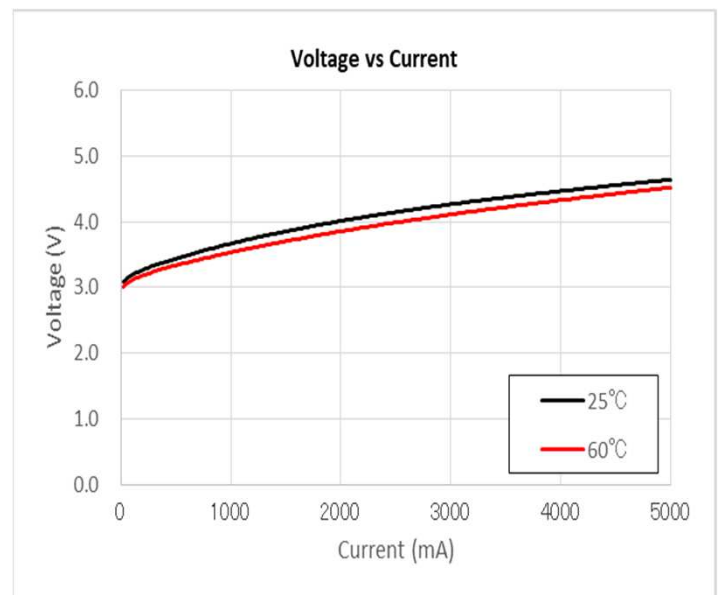
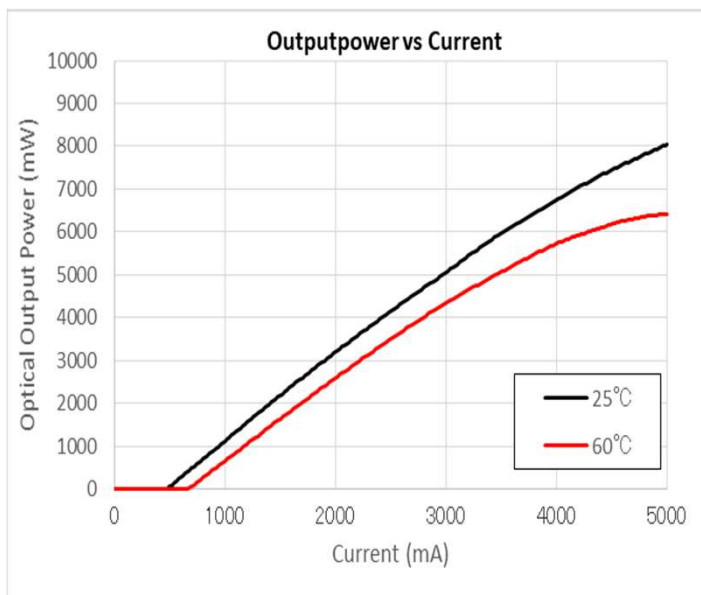
Parameter	Symbol	Conditions	Min.	Typ.	Max.	Unit
Threshold current	I _{th}	-	-	0.45	-	A
Operating current	I _{op}	P _o =7W	-	4.3	-	A
Operating voltage	V _{op}		-	4.5	-	V
Wavelength(Note 4)	λ _p		425	435	445	nm
Half Intensity Angle(Parallel)(Note 2,3)	θ _{//}		-	7	-	°
Half Intensity Angle(Perpendicular)(Note 2,3)	θ _⊥	P _o =5W	-	47	-	°
Misalignment angle (Parallel) (Note 3)	Δθ _{//}		-	-	-	°
Misalignment angle (Perpendicular)(Note 3)	Δθ _⊥		-	-	-	°
Differential efficiency	η _d	P _o =7W	-	1.8	-	W/A

(Note 1) Initial value, Continuous Wave Operation

(Note 2) Full width angle at 1/e² of peak intensity

(Note 3) Parallel to the junction plane(X-Z plane).
Perpendicular to the junction plane(Y-Z plane)

(Note 4) It is based on method for measurement of light spectrum analyzer Q8344A made by Advantest Corp. of Sharp Corp. property.



(Notice)

• In the absence of confirmation by device specification sheets, SHARP takes no responsibility for any defects that may occur in equipment using any SHARP devices shown in catalogs, data books, etc. Contact SHARP in order to obtain the latest device specification sheets before using any SHARP device.

• Specifications are subject to change without notice for improvement.

As of September 2022

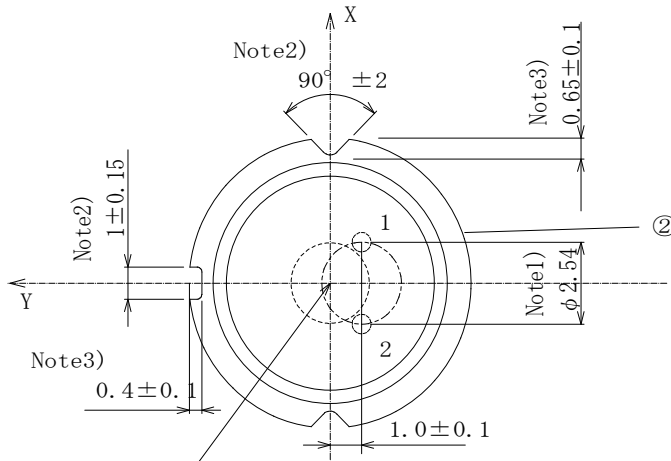
GH0DA10459

Blue Laser Diode

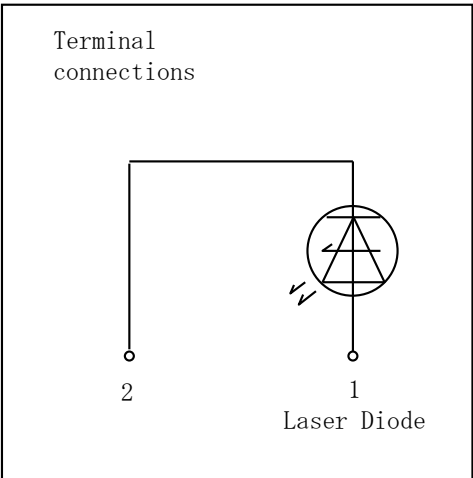
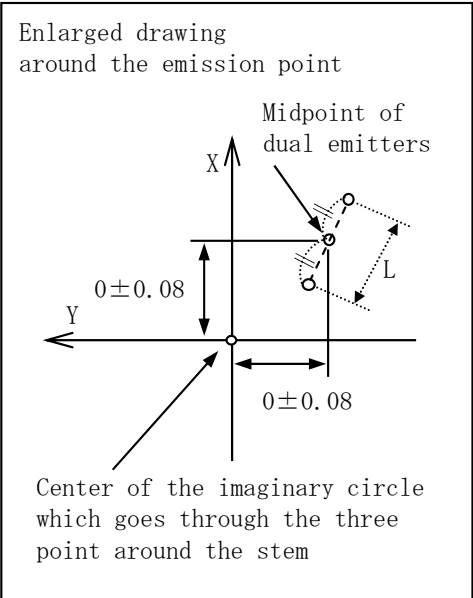
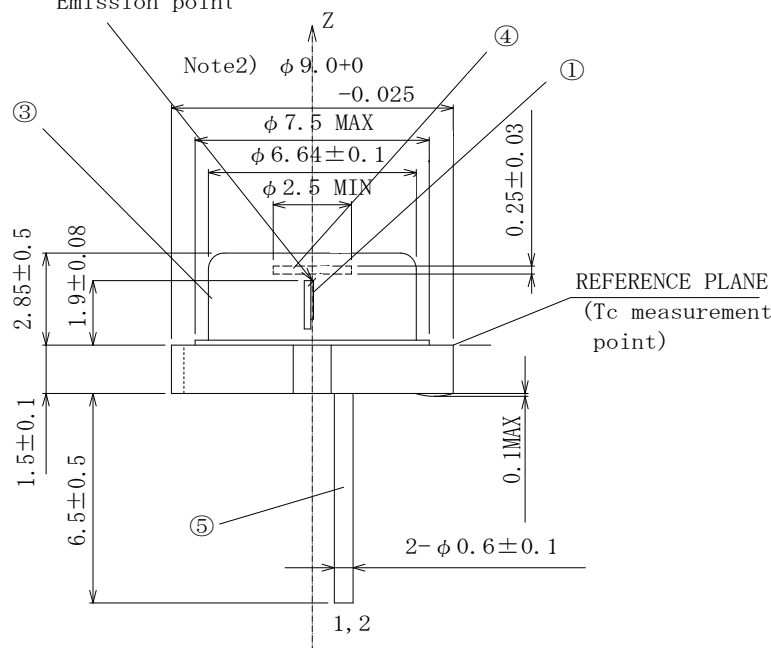
■ Outline Dimensions

(Unit:mm)

Top view



Side view



Note 1) Dimension of the bottom of leads.

Note 2) These dimensions are valid only in the range of 0 ~ 0.75mm below from the reference plane.

Note 3) These dimensions are defined from the imaginary circle which goes through the three points around the stem to the bottom of cut off parts.

No.	Component	Material	Finish
①	Laser Diode Chip	InAlGaN	-
②	Stem	Fe, Cu	Gold-plated
③	Cap	45 alloy	Nickel+Pd plated
④	Window glass	Borosilicated glass	-
⑤	Lead pins	Kovar	Gold-plated

(Notice)

• In the absence of confirmation by device specification sheets, SHARP takes no responsibility for any defects that may occur in equipment using any SHARP devices shown in catalogs, data books, etc. Contact SHARP in order to obtain the latest device specification sheets before using any SHARP device.

• Specifications are subject to change without notice for improvement.

As of September 2022

GH0DA10459

■ Notice

1. These specification sheets include materials protected under copyright of Sharp Corporation ("Sharp").
Please handle with great cares and do not reproduce or cause anyone to reproduce them without Sharp's consent.
2. When using this Sharp product, please observe the absolute maximum ratings, other conditions and instructions for use described in the specification sheets, as well as the precautions mentioned below.
Sharp assumes no responsibility for any damages resulting from use of the product which does not comply with absolute maximum ratings, other conditions and instructions for use included in the specification sheets, and the precautions mentioned below.

(Precautions)
(1) In making catalogue or instruction manual based on the specification sheets, please verify the validity of the catalogue or instruction manuals after assembling Sharp products in customer's products at the responsibility of customer.

(2) This Sharp product is designed for use in the following application areas ;
 - Computers • OA equipment • Telecommunication equipment (Terminal) • Measuring equipment
 - Tooling machines • Audio visual equipment • Home appliancesIf the use of the Sharp product in the above application areas is for equipment listed in paragraphs (3) or (4), please be sure to observe the precautions given in those respective paragraphs.

(3) Appropriate measures, such as fail-safe design and redundant design considering the safety design of the overall system and equipment, should be taken to ensure reliability and safety when Sharp product is used for equipment in responsibility of customer which demands high reliability and safety in function and precision, such as ;
 - Transportation control and safety equipment (aircraft, train, automobile etc.)
 - Traffic signals • Gas leakage sensor breakers • Rescue and security equipment
 - Other safety equipment
(4) Sharp product is designed for consumer goods and controlled as consumer goods in production and quality.
Please do not use this product for equipment which require extremely high reliability and safety in function and precision, such as ;
 - Space equipment • Telecommunication equipment (for trunk lines)
 - Nuclear power control equipment • Medical equipment
(5) Please contact and consult with a Sharp sales representative if there are any question regarding interpretation of the above four paragraphs.
3. Disclaimer
The warranty period for Sharp product is one (1) year (or six (6) months in case of generalized product) after shipment. During the period, if there are any products problem, Sharp will repair (if applicable), replace or refund. Except the above, both parties will discuss to cope with the problems.

The failed Sharp product after the above one (1) year (or six (6) month for generalized product) period will be coped with by Sharp, provided that both parties shall discuss and determine on sharing responsibility based on the analysis results thereof subject to the above scope of warranty.

The warranty described herein is only for Sharp product itself which are purchased by or delivered to customer. Damages arising from Sharp product malfunction or failure shall be excepted.

Sharp will not be responsible for the Sharp product due to the malfunction or failures thereof which are caused by:
 - (1) storage keep trouble during the inventory in the marketing channel.
 - (2) intentional act, negligence or wrong/poor handling.
 - (3) equipment which Sharp products are connected to or mounted in.
 - (4) disassembling, reforming or changing Sharp products.
 - (5) installation problem.
 - (6) act of God or other disaster (natural disaster, fire, flood, etc.)
 - (7) external factors (abnormal voltage, abnormal electromagnetic wave, fire, etc.)
 - (8) special environment (factory, coastal areas, hot spring area, etc.)
 - (9) phenomenon which cannot be foreseen based on the practical technologies at the time of shipment.
 - (10) the factors not included in the product specification sheet.
4. Please contact and consult with a Sharp sales representative for any questions about Sharp product.

(Notice)

- In the absence of confirmation by device specification sheets, SHARP takes no responsibility for any defects that may occur in equipment using any SHARP devices shown in catalogs, data books, etc. Contact SHARP in order to obtain the latest device specification sheets before using any SHARP device.
- Specifications are subject to change without notice for improvement.